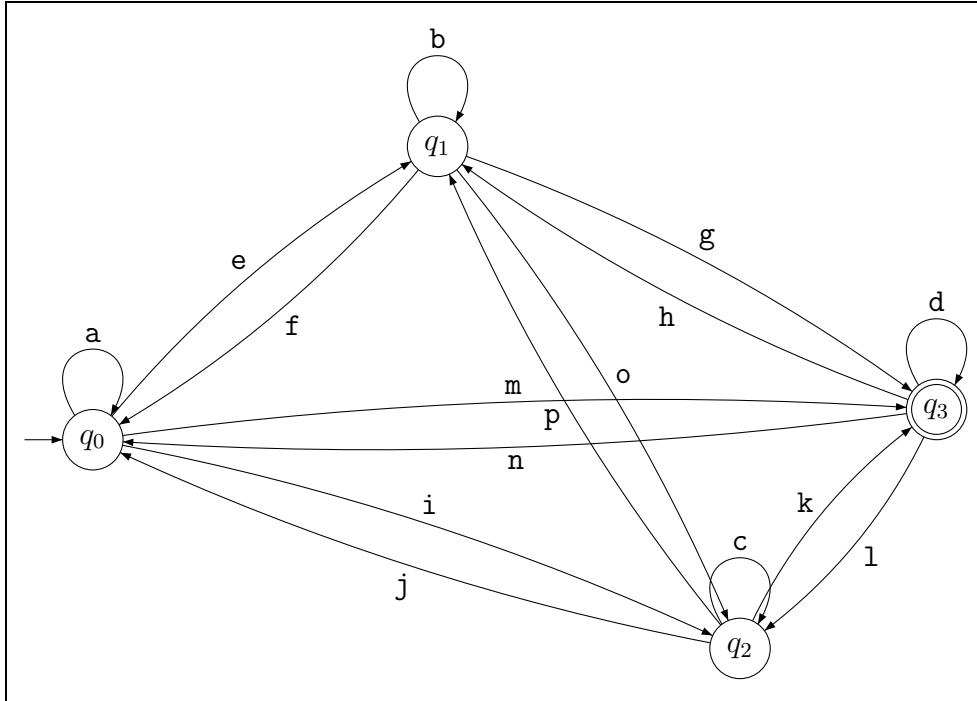
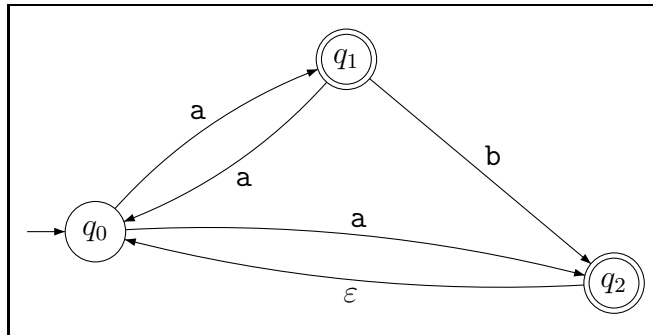


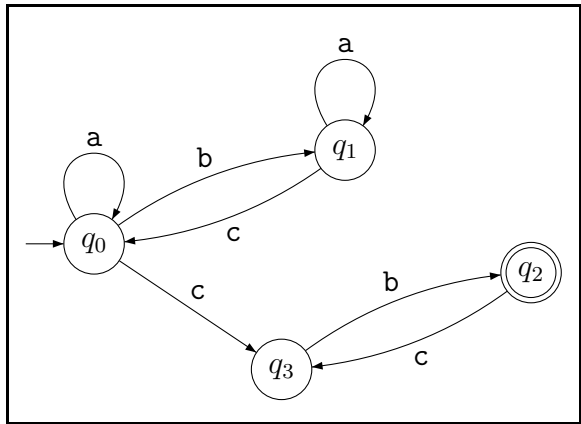
output/ex4.5a:



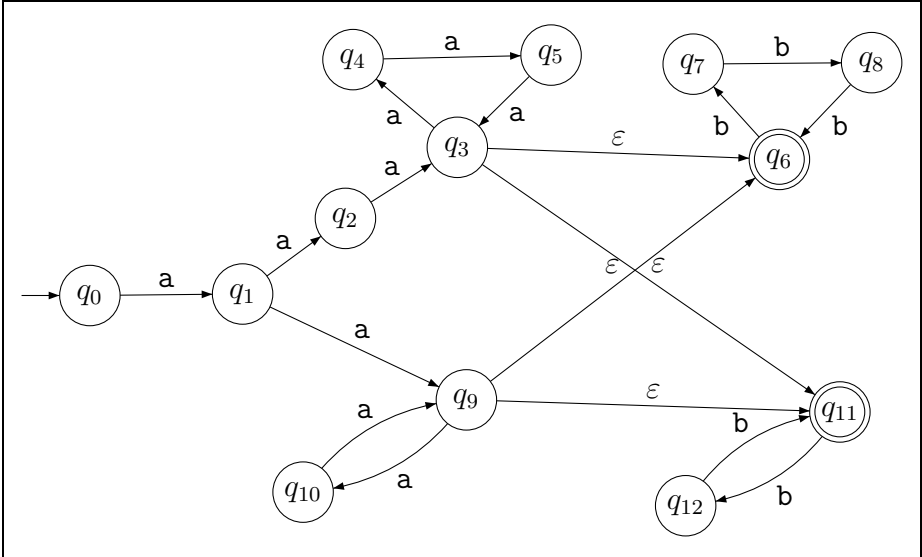
output/ex2-nfa2dfa-d:



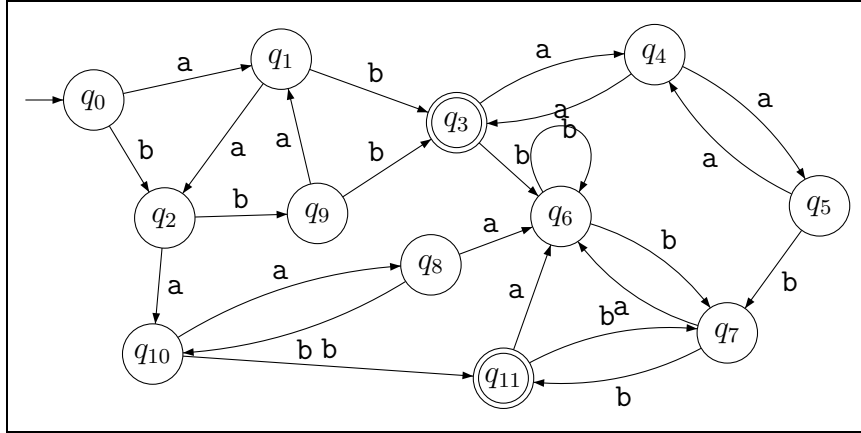
output/ex3.fa2rg-e:



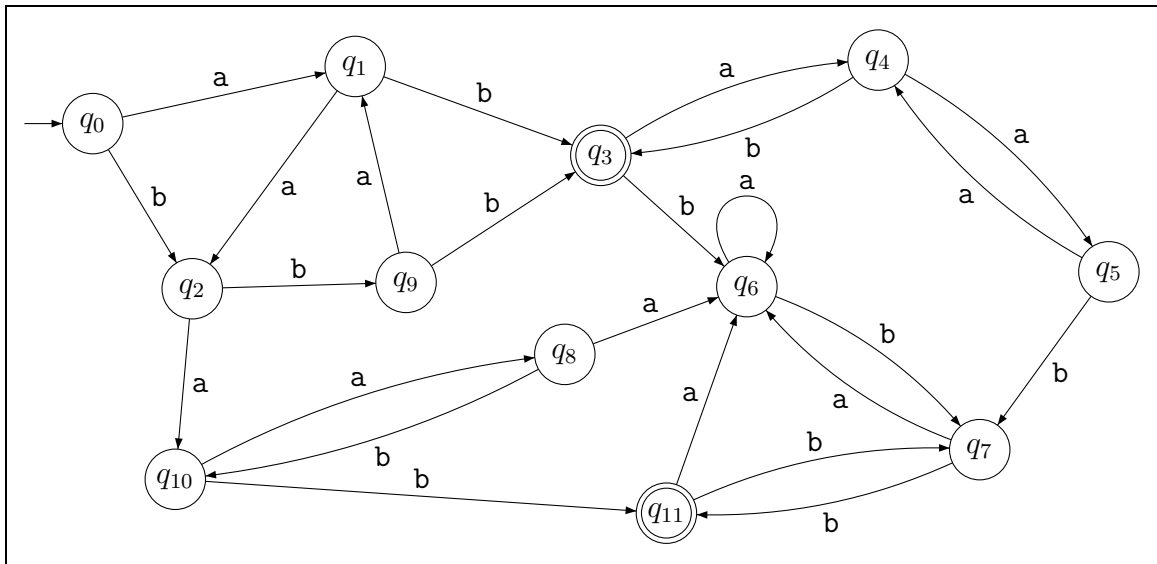
output/ex1.3a:



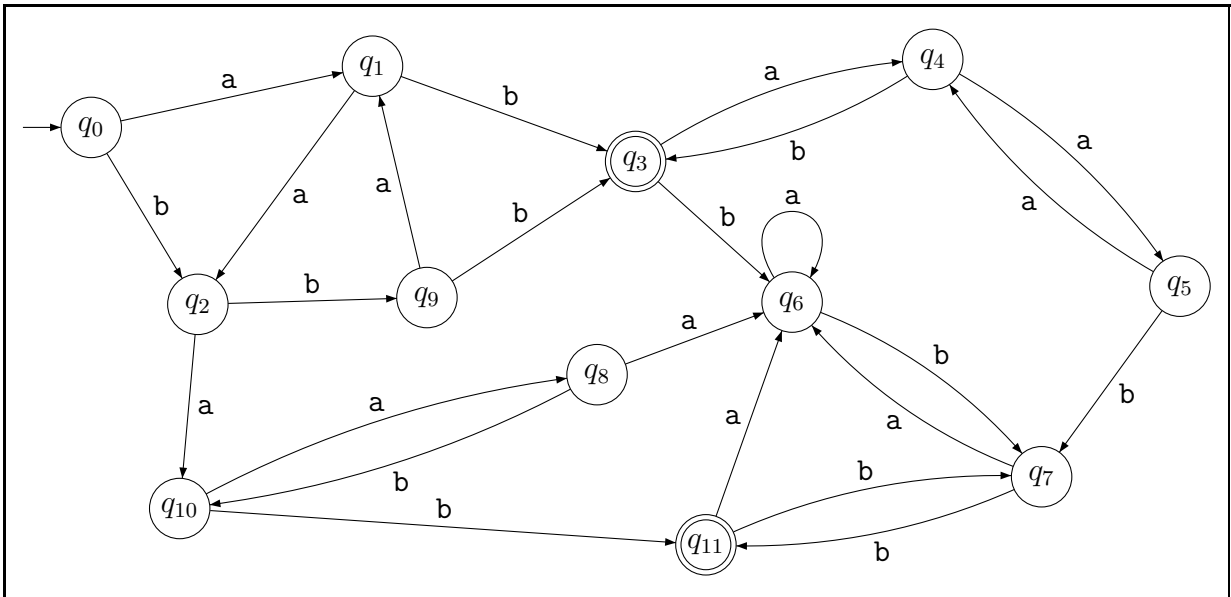
Original size: output/ex2-dfa2mindfa-d:



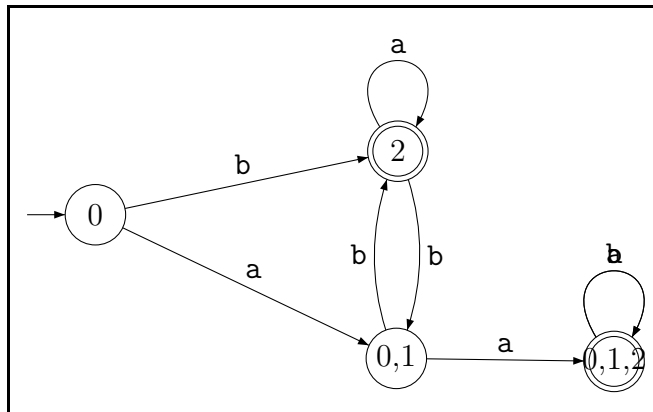
Scale by 1.4: output/ex2-dfa2mindfa-d-1.4:



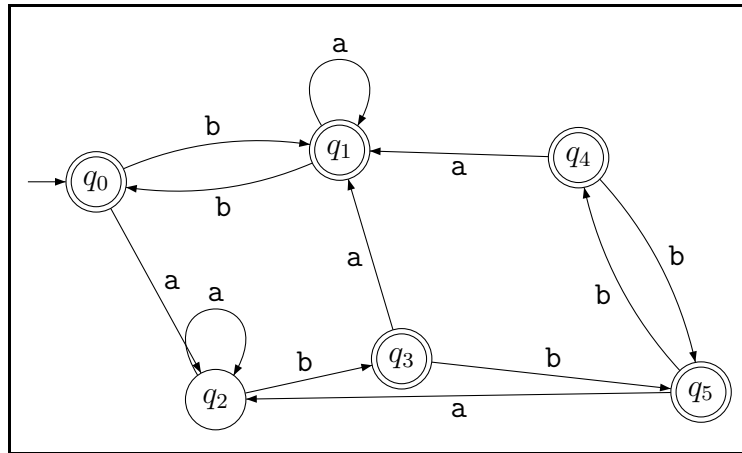
Scale by 1.5: output/ex2-dfa2mindfa-d-1.5:



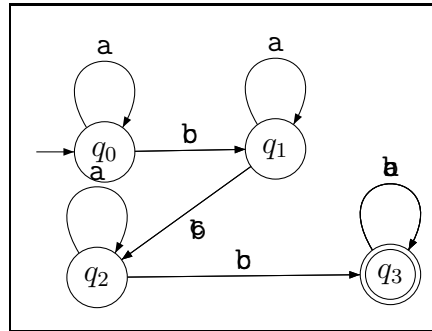
output/ex2-dfa2nfa:



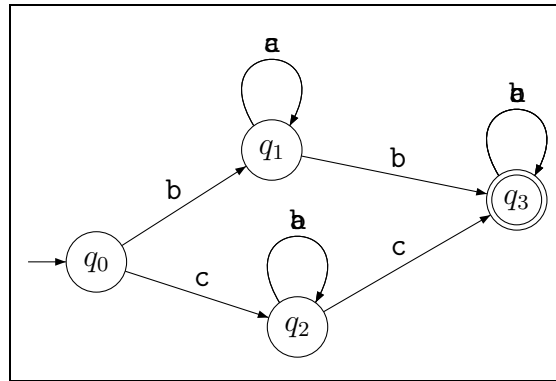
output/ex2-dfa2mindfa-b:



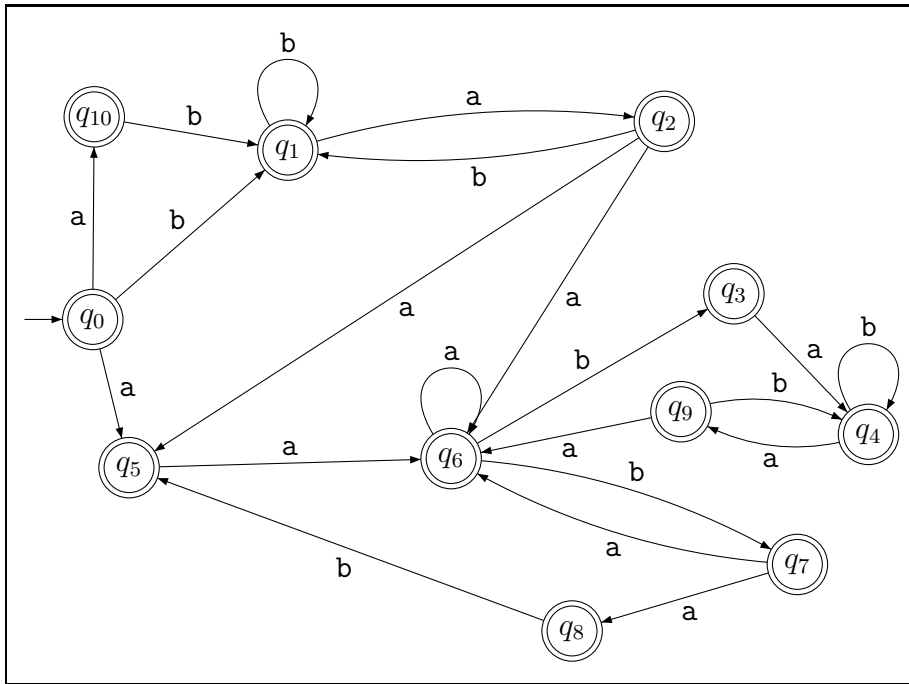
output/ex1.7c:



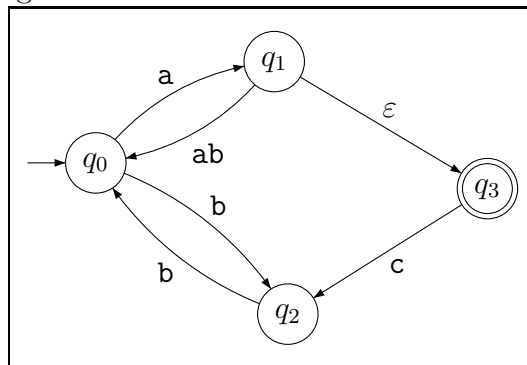
output/ex1.6d:



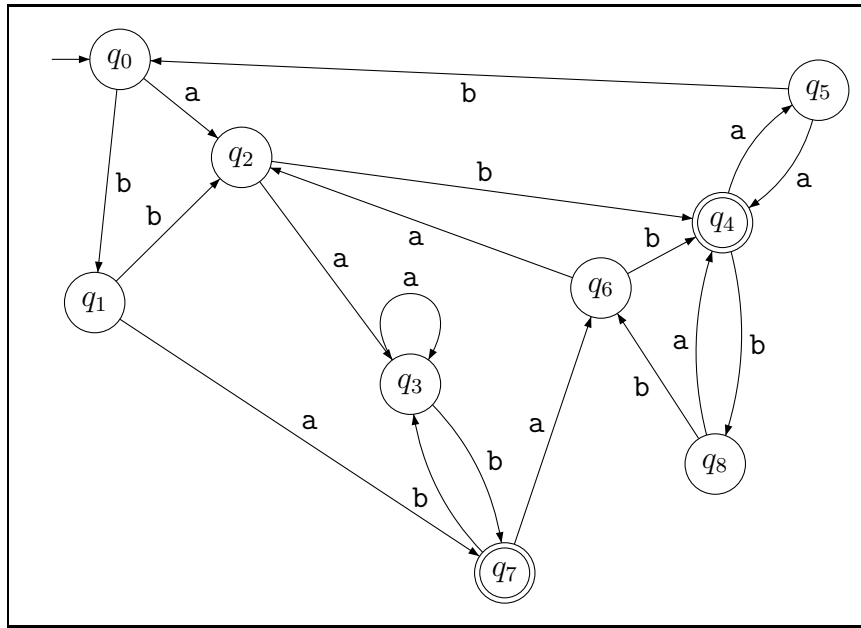
output/ex2.3b:



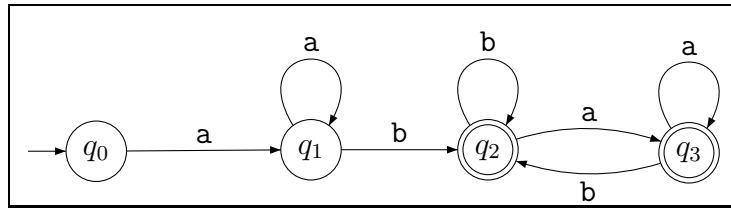
output/ex3.fa2rg-f:



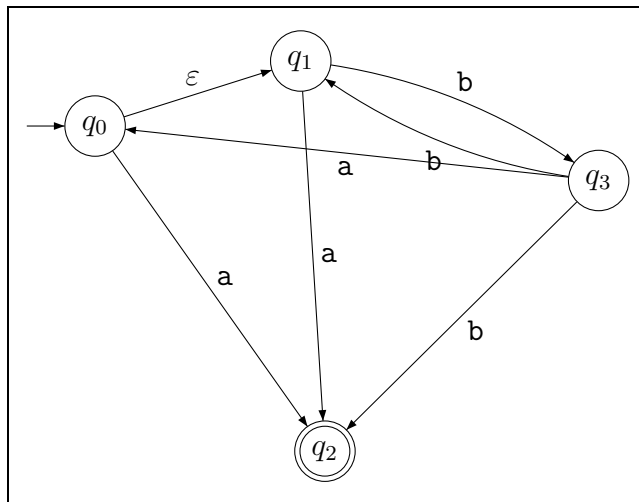
output/ex2-dfa2mindfa-c:



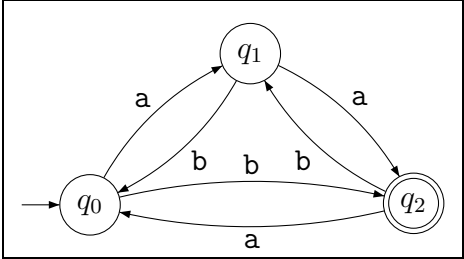
output/ex2.3c:



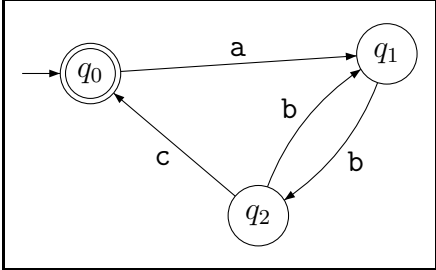
output/ex2-nfa2dfa-e:



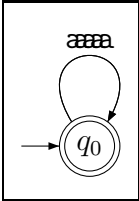
output/ex3.fa2rg-a:



output/ex1.7f:

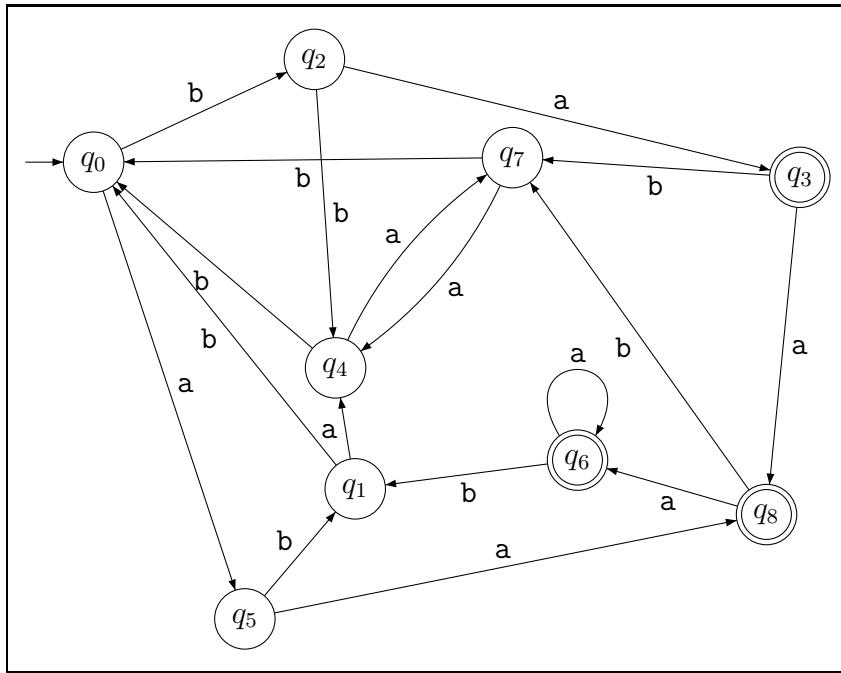


output/ex1.7b:

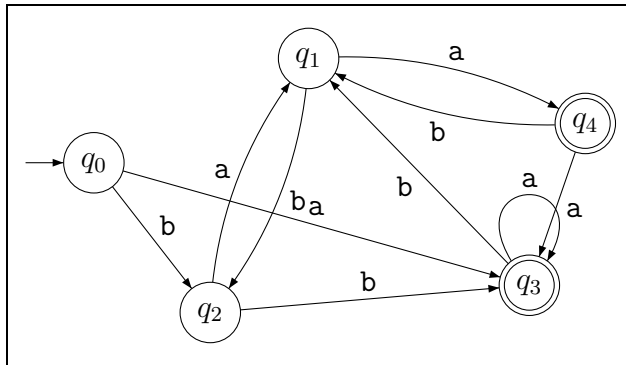


output/ex2.2a:

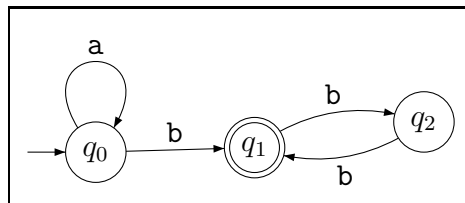




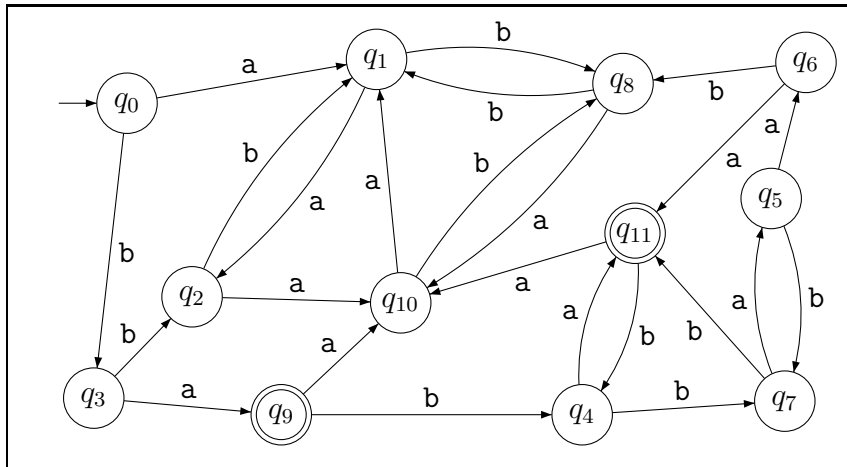
output/ex2-dfa2mindfa-a:



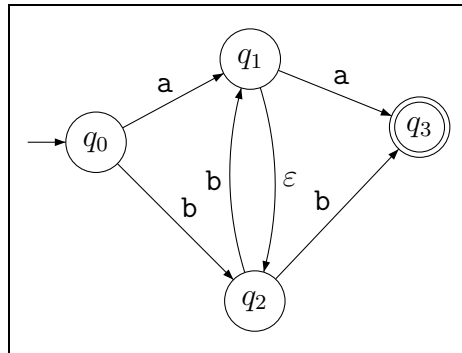
output/ex1.1a:



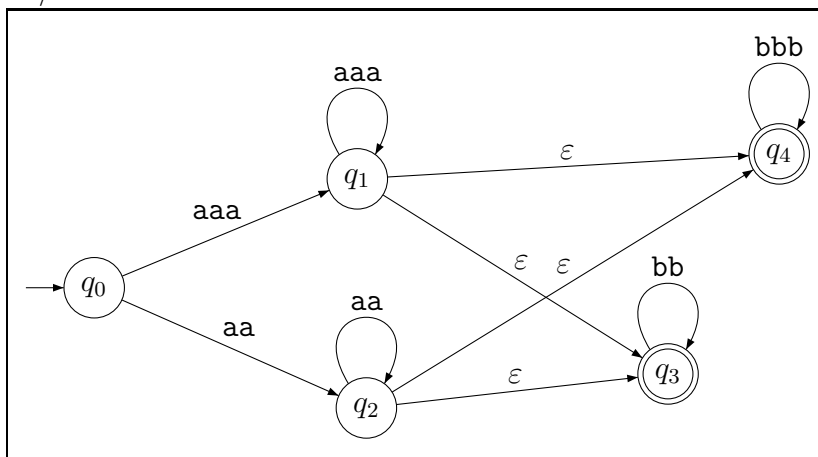
output/ex2-dfa2mindfa-e:



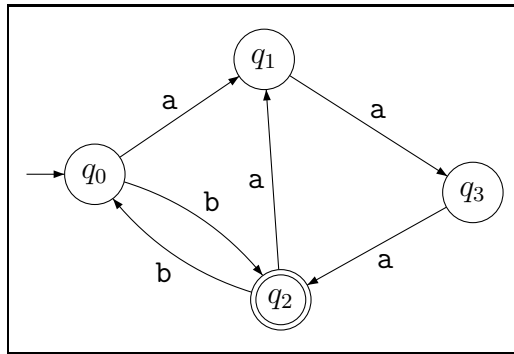
output/ex2-nfa2dfa-c:



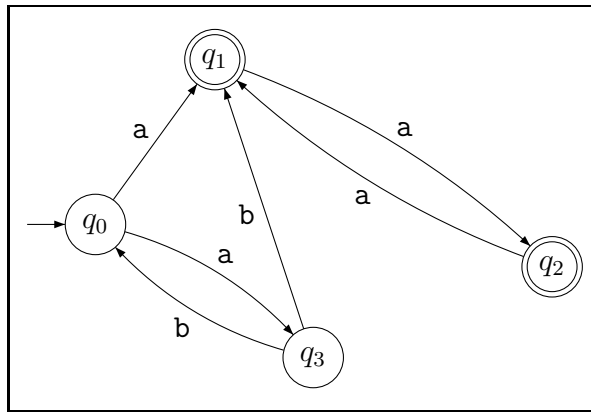
output/ex1.5a:



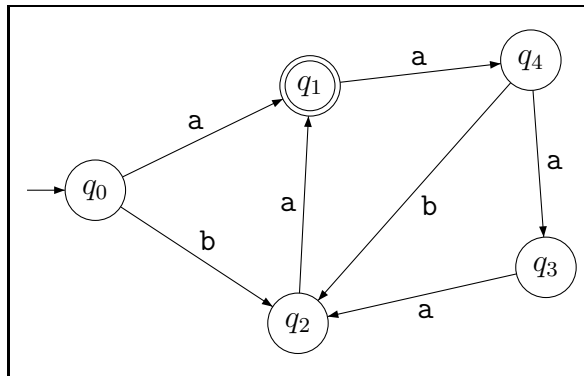
output/ex4.nfa2re-e:



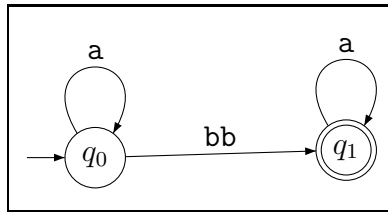
output/ex4.nfa2re-f:



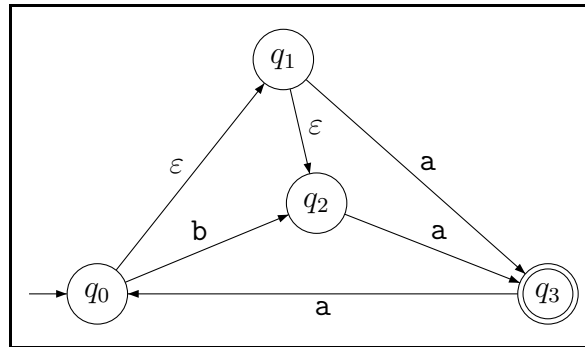
output/ex4.nfa2re-h:



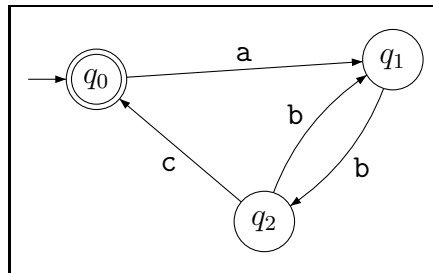
output/ex1.7a:



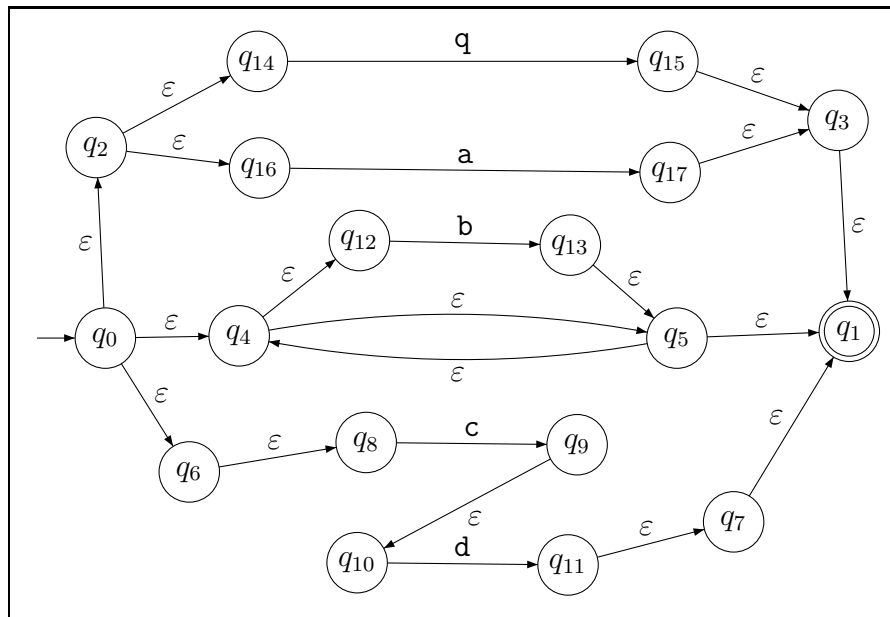
output/ex2-nfa2dfa-f:



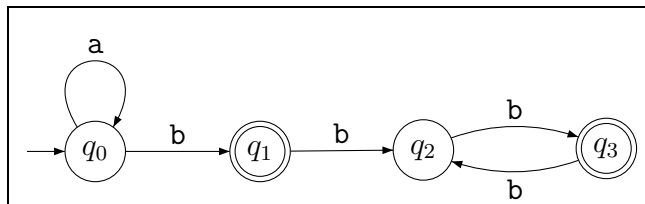
output/ex1.6f:



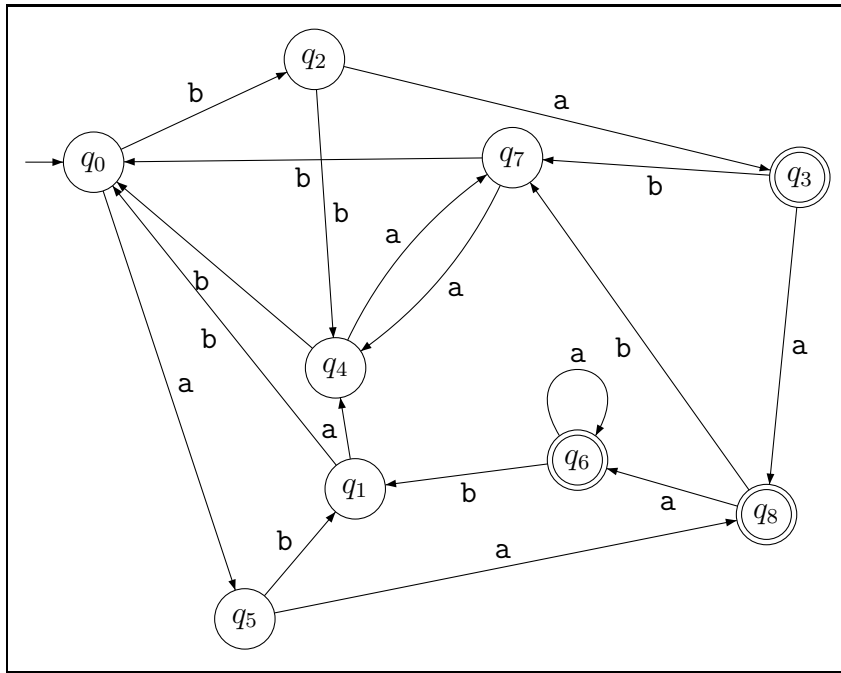
output/ex4.2a:



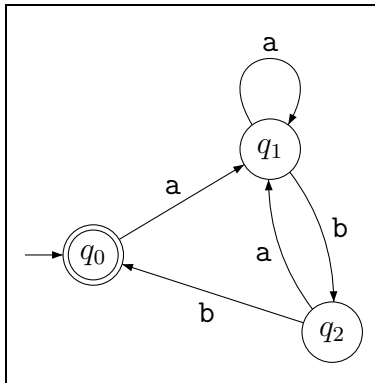
output/ex1.4a:



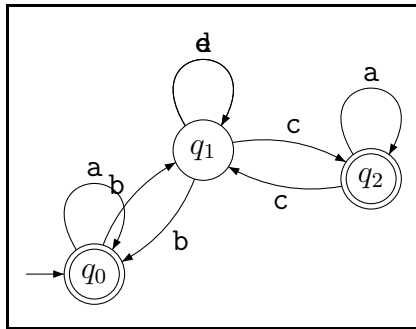
output/ex2.2a-dup:



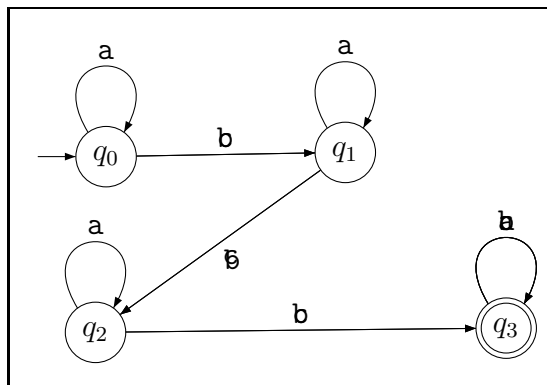
output/ex4.nfa2re-c:



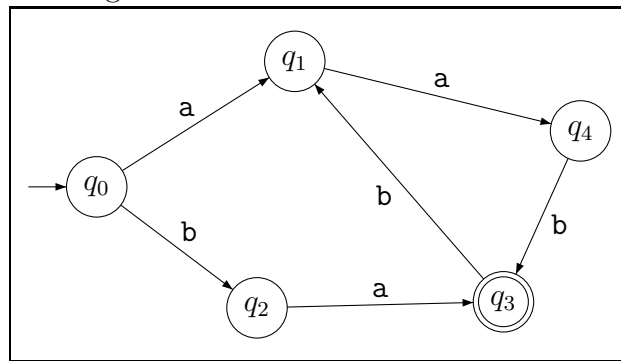
output/ex4.3a:



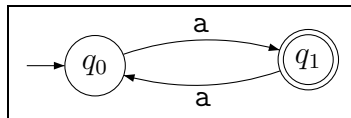
output/ex1.6c:



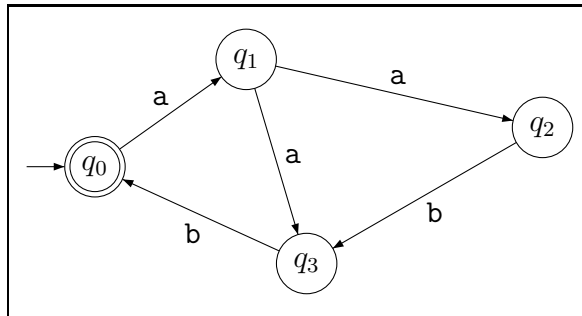
output/ex4.nfa2re-g:



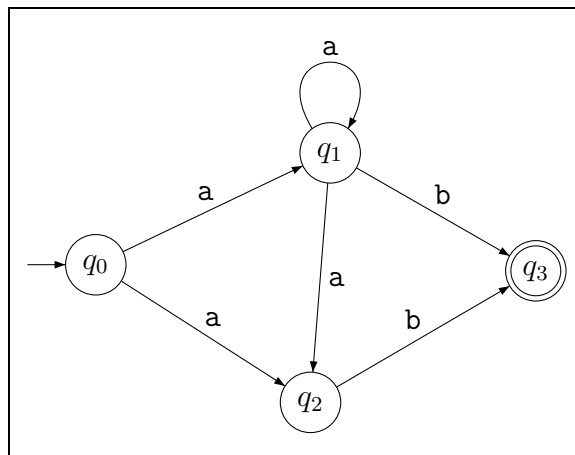
output/ex1.6e:



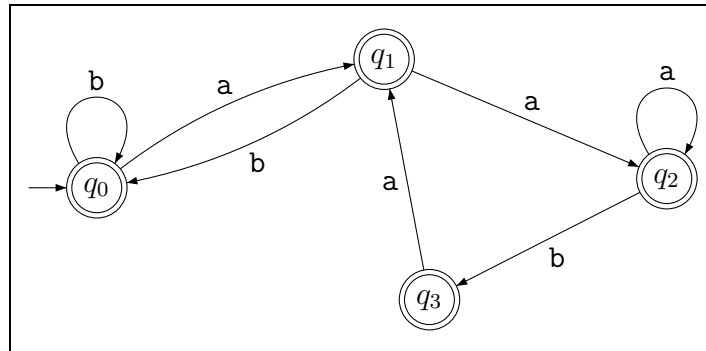
output/ex3.fa2rg-b:



output/ex2-nfa2dfa-a:

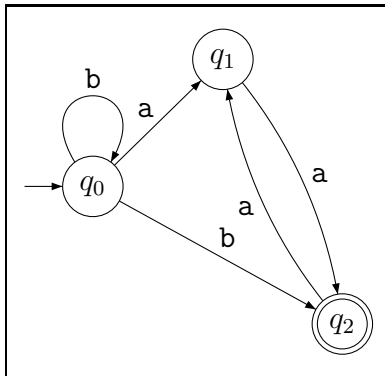


output/ex2.3a:

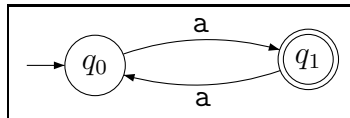


output/ex4.nfa2re-a:

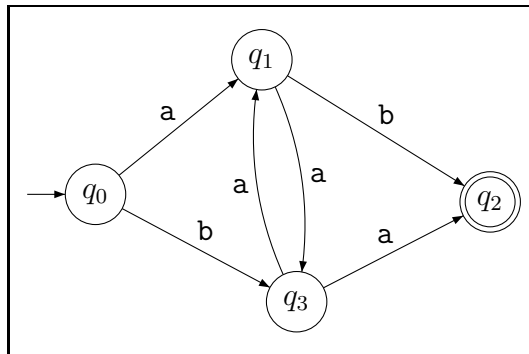




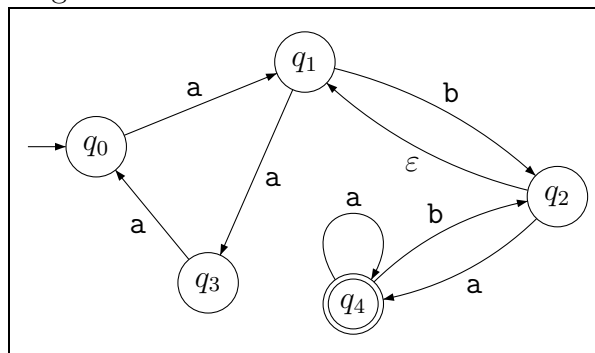
output/ex1.7e:



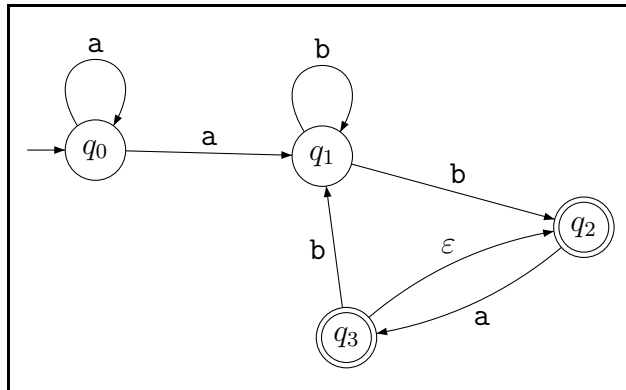
output/ex4.nfa2re-d:



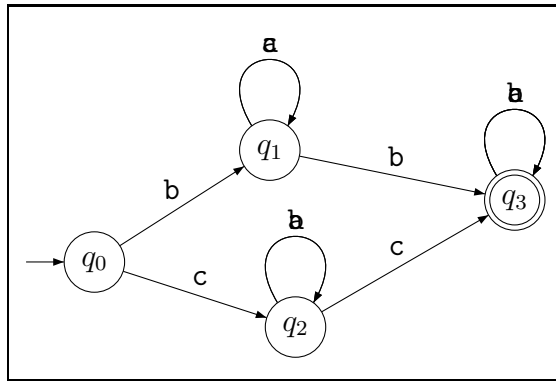
output/ex3.fa2rg-d:



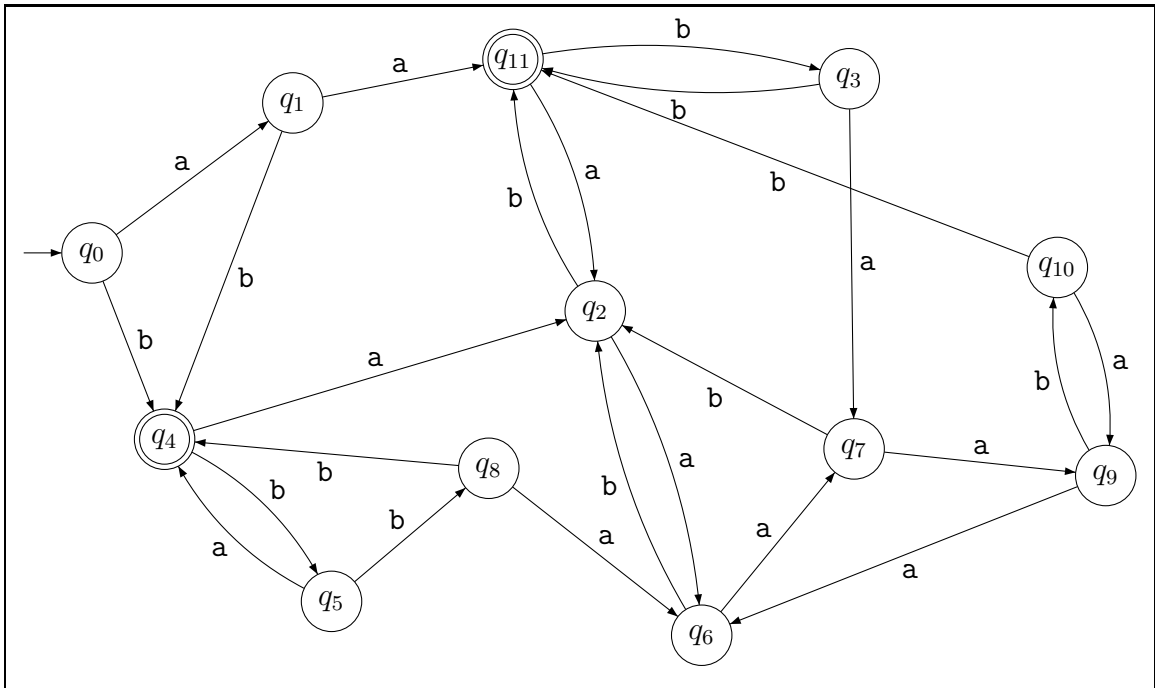
output/ex2.1a:



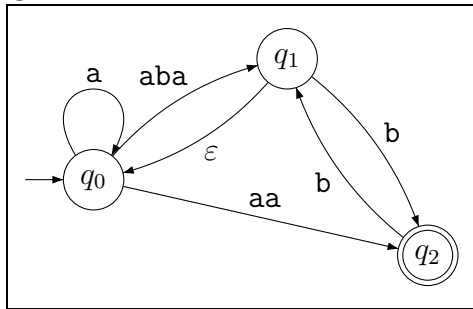
output/ex1.7d:



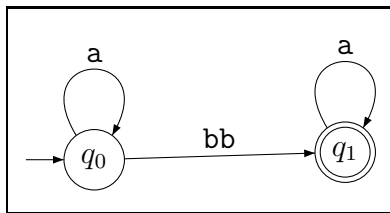
output/ex2-dfa2mindfa-test:



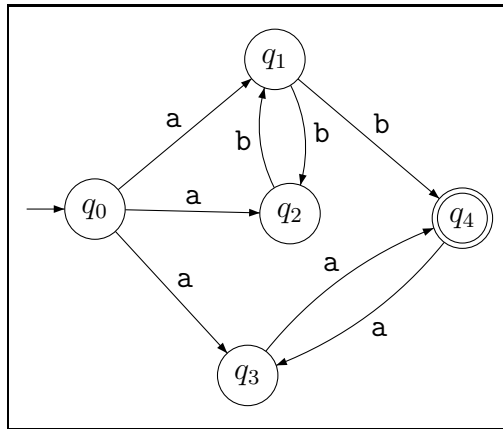
output/ex3.fa2rg-g:



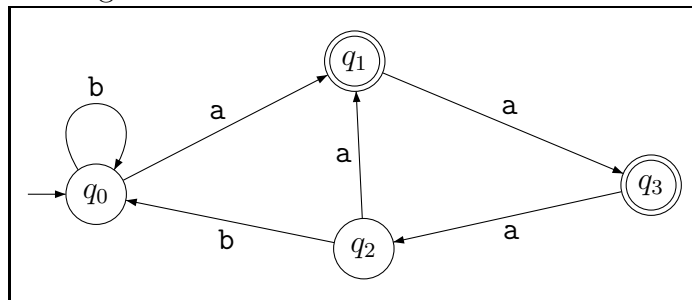
output/ex1.6a:



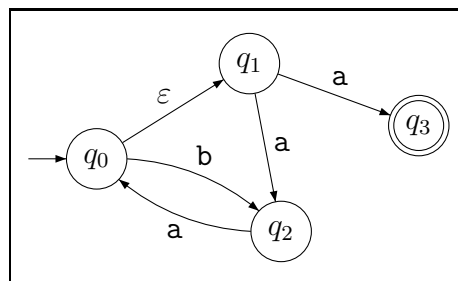
output/ex2-nfa2dfa-b:



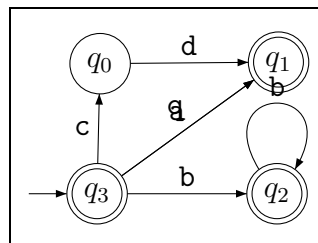
output/ex3.fa2rg-c:



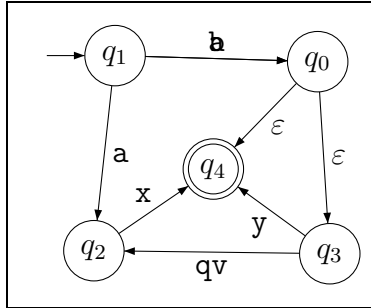
output/ex0.1a:



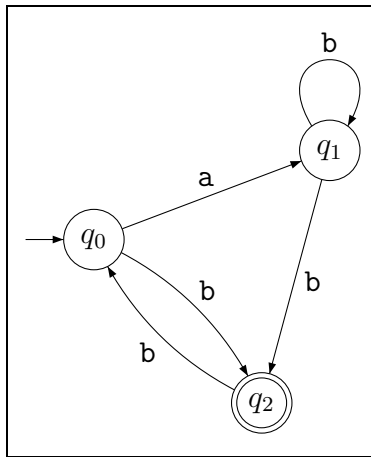
output/ex4.2b:



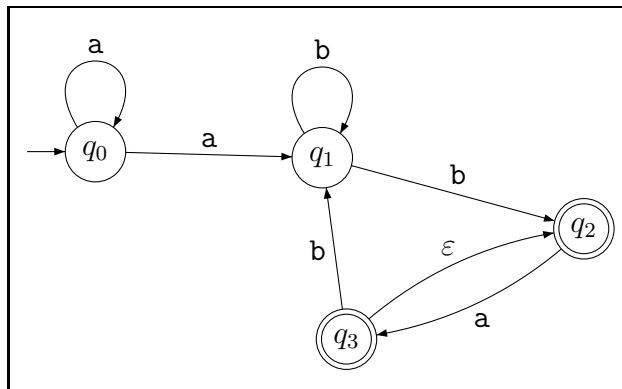
output/ex3.4a:



output/ex4.nfa2re-b:



output/ex2.1anew:



output/ex1.6b:

